



Chameleon PreComp

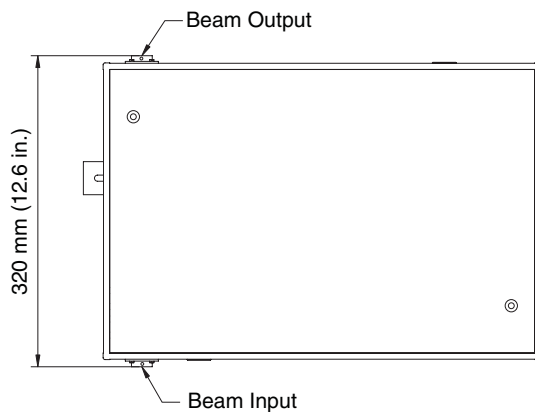
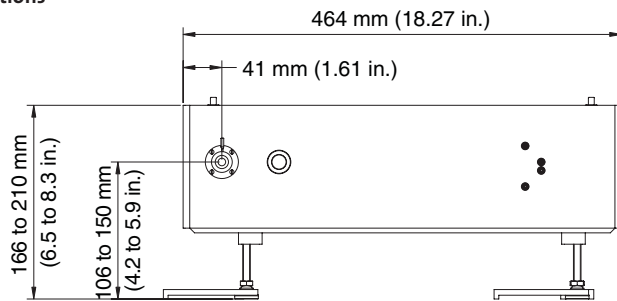
Automated Dispersion Control for Chameleon Ti:Sapphire Lasers



Features

- Automated dispersion tracking designed for MPE
- Continuous precompensation from 0 to $-23,000 \text{ fs}^2$ dispersion
- Single control link integration
- Matches ultra-wide tuning range of Chameleon lasers
- Ease of use with Chameleon lasers
- High transmission optical design

Mechanical Specifications



Superior Reliability & Performance

Chameleon™ PreComp

Automated Dispersion Control for Chameleon Ti:Sapphire Lasers

System Specifications¹

Tuning Range (nm)	680 to 1080
Transmission (%)	>90 across entire tuning range
Negative Dispersion Range ²	0 to -23,000 fs ²
Input Beam Parameter	Accepts all Chameleon lasers

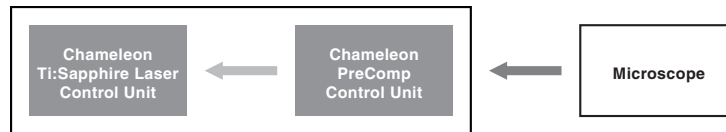
Utility and Environmental Requirements

Operating Voltage (VAC)	90 to 250 (auto ranging)
System Power Consumption (W)	
Typical	10
Maximum	20
Line Frequency (Hz)	47 to 63
Operating Temperature Range	15 to 35°C (59 to 95°F)
Weight	11 kg (22 lbs.)
Dimensions (L x W x H)	
Optical Head	464 x 313 x 180 mm (18.27 x 12.32 x 7.09 in.)
Remote Control Unit	124 x 155 x 82 mm (4.88 x 6.1 x 3.23 in.)

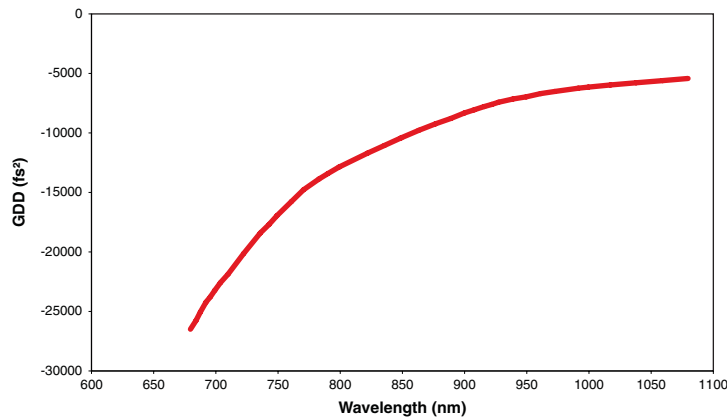
¹ When operated with Chameleon Ti:Sapphire laser.

² At 700 nm. Maximum negative dispersion is dependent on wavelength. See diagram below for typical values.

Interface Link for Automation



Maximum Negative Dispersion Capability



Coherent follows a policy of continuous product improvement. Specifications are subject to change without notice.

Coherent's scientific and industrial lasers are certified to comply with the Federal Regulations (21 CFR Subchapter J) as administered by the Center for Devices and Radiological Health on all systems ordered for shipment after August 2, 1976.

Coherent offers a limited warranty for all Chameleon systems. For full details of this warranty coverage, please refer to the Service section at www.Coherent.com or contact your local Sales or Service Representative.



www.Coherent.com

Coherent, Inc.
 5100 Patrick Henry Drive
 Santa Clara, CA 95054
 phone (800) 527-3786
 (408) 764-4983
 fax (800) 362-1170
 (408) 988-6838
 e-mail tech.sales@Coherent.com

Benelux +31 (30) 280 6060
 China +86 (10) 6280 0209
 France +33 (0)1 6985 5145
 Germany +49 (6071) 9680
 Italy +39 (02) 34 530 214
 Japan +81 (3) 5635 8700
 Korea +82 (2) 460 7900
 UK +44 (1353) 658 833

