



Coherent StingRay Accessories

Structured Light Pattern Generating Laser

A host of essential accessories support the Coherent StingRay laser. These accessories provide easy integration with and control of the Coherent StingRay. They are specifically designed and selected to enable optimum performance of the Coherent StingRay.



Coherent StingRay Accessories Features:

- **Laser Power Supply**
- **Multi-Axis Mount**
- **Heat Sink Mount**
- **Mount Adapter Plate**
- **CDRH Controller**
- **CDRH Controller Kit**
- **CDRH Controller Power Supply**
- **12 Pin Hirose to Flying Lead Connector**
- **Connection Software**

Superior Reliability & Performance

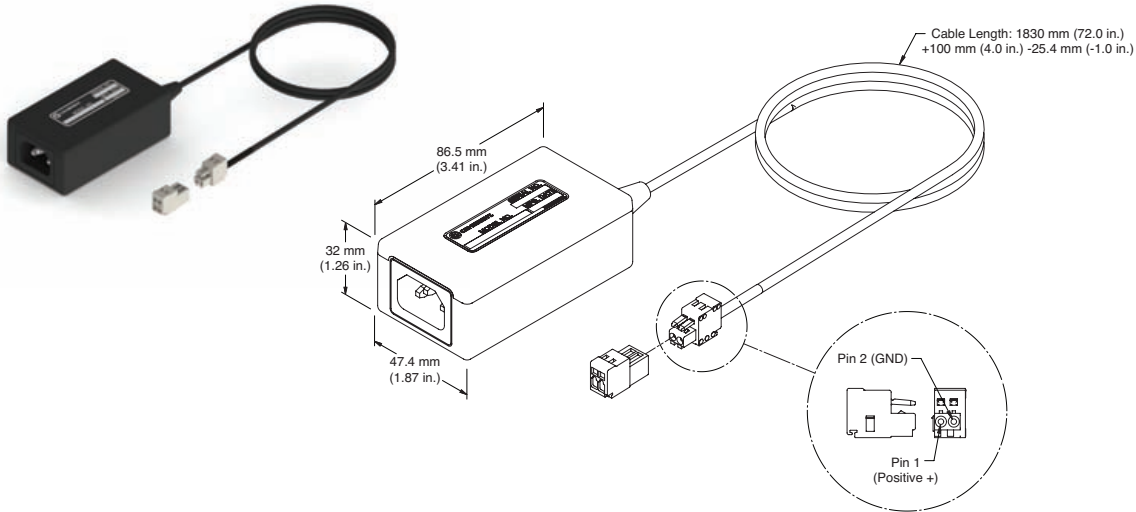
www.Coherent.com/COHRSRAccessories

Coherent StingRay Accessories

Structured Light Pattern Generating Laser

Coherent StingRay Power Supply - Laser

Part Number: 1232091



Coherent StingRay Multi-Axis Mount

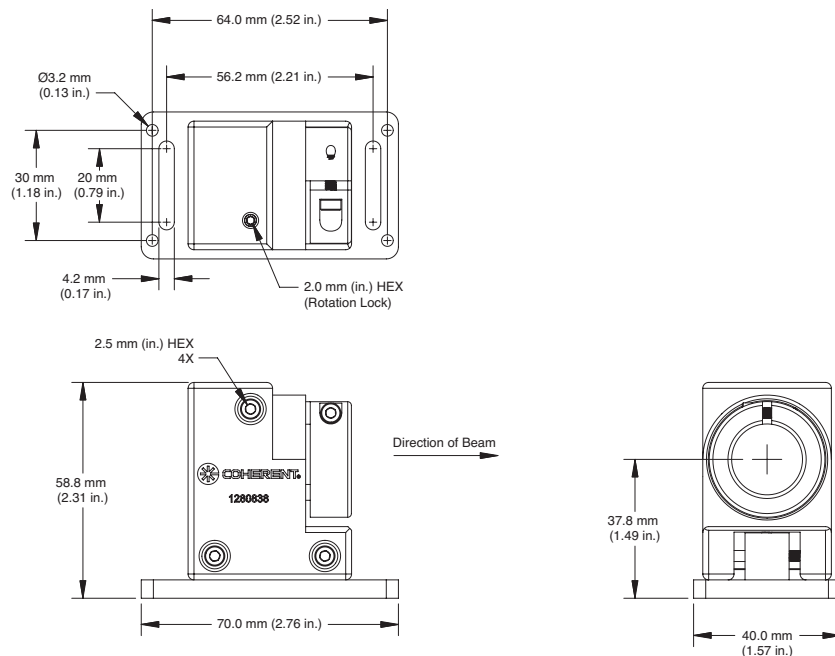
Part Number: 1280838

The Multi-Axis Mount provides the user/integrator with the capability of precision movement/alignment of the laser as it is installed into an instrument or application.

This movement consist of:

- 360 degree rotation about the lasers mechanical axis
- Translation the laser system in the Y axis (up to 6 mm)
- Tilt about the X axis up to 7 degrees

The Multi-Axis mount provide multiple mounting options for the user, conforming to the standard StingRay/Obis footprint as well as allow for more general mounting with two machined slots for quick installation an gross alignment in the Y axis.



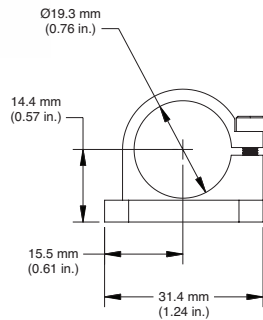
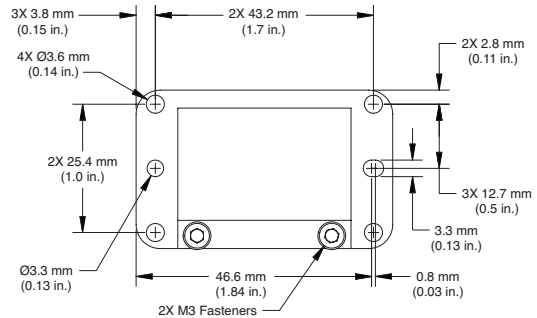
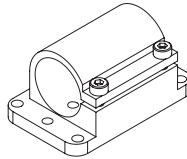
Coherent StingRay Accessories

Structured Light Pattern Generating Laser

Coherent StingRay Heat Sink Mount

Part Number: 1222896

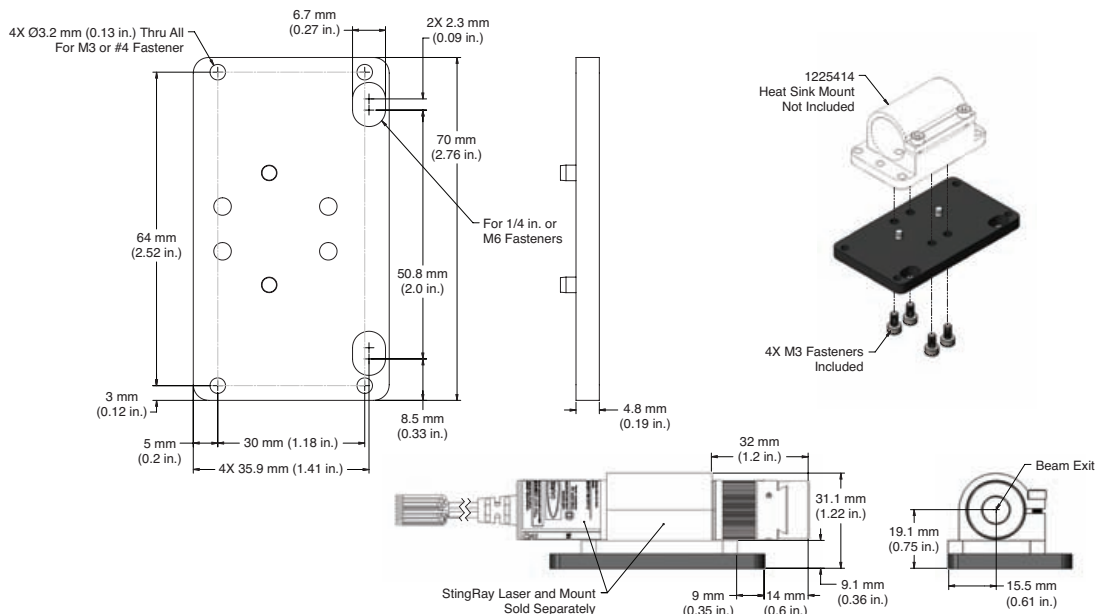
This mount is specifically designed to match the thermal management design employed in the Coherent Stingray laser family. This product offers excellent thermal and pointing stability. The mount includes 4 thru holes and 4 tapped holes with a precision pin slot for easy and repeatable mounting.



Coherent StingRay Mount Adapter Plate

Part Number: 1222894

The Coherent StingRay Heat Sink Mount Adapter Plate enables the user to adapt the Coherent StingRay to metric or English optical table or base plate for quick and easy integration of the laser into applications.



Heat Sink Mount Adapter with Heat Sink and StingRay Laser Installed

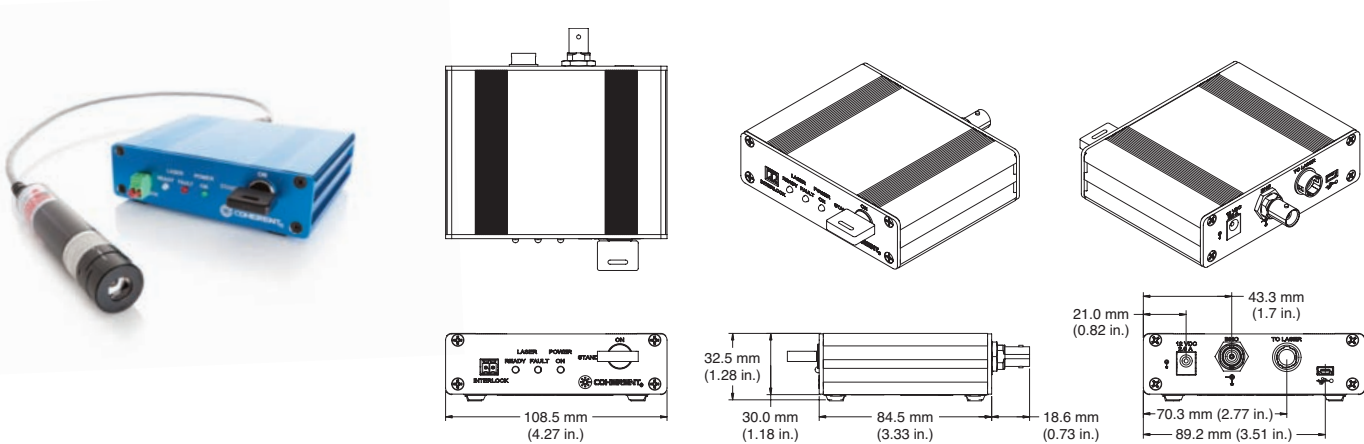
Coherent StingRay Accessories

Structured Light Pattern Generating Laser

Coherent StingRay CDRH Safety Controller

Part Number: 1225414

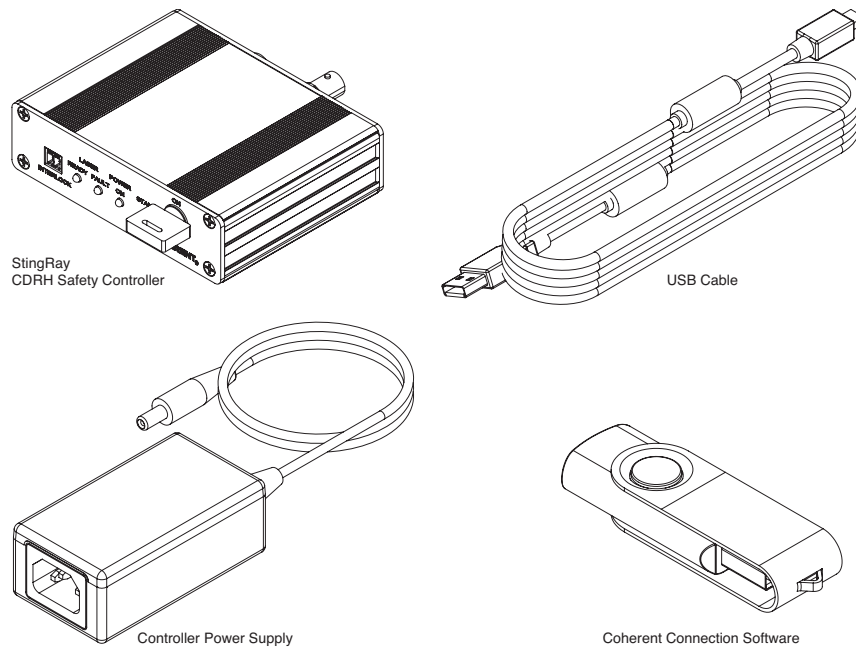
The CDRH Controller, for use with the Coherent StingRay product family, is a multi-functional interface. It provides feedback, status and control for the laser, as well as safety features that comply with end-use applications. The CDRH Controller provides an interface to the laser for remote connection of power, modulation and communication.



Coherent StingRay CDRH Safety Controller Kit

Part Number: 1231404

The CDRH Controller Kit combines all the necessary items into a single Part Number for simple ordering. The Kit contains the CDRH Controller (1222896), the Controller Power Supply (1105427), the Coherent Connect Software (1258561), and a USB Cable (1108906).

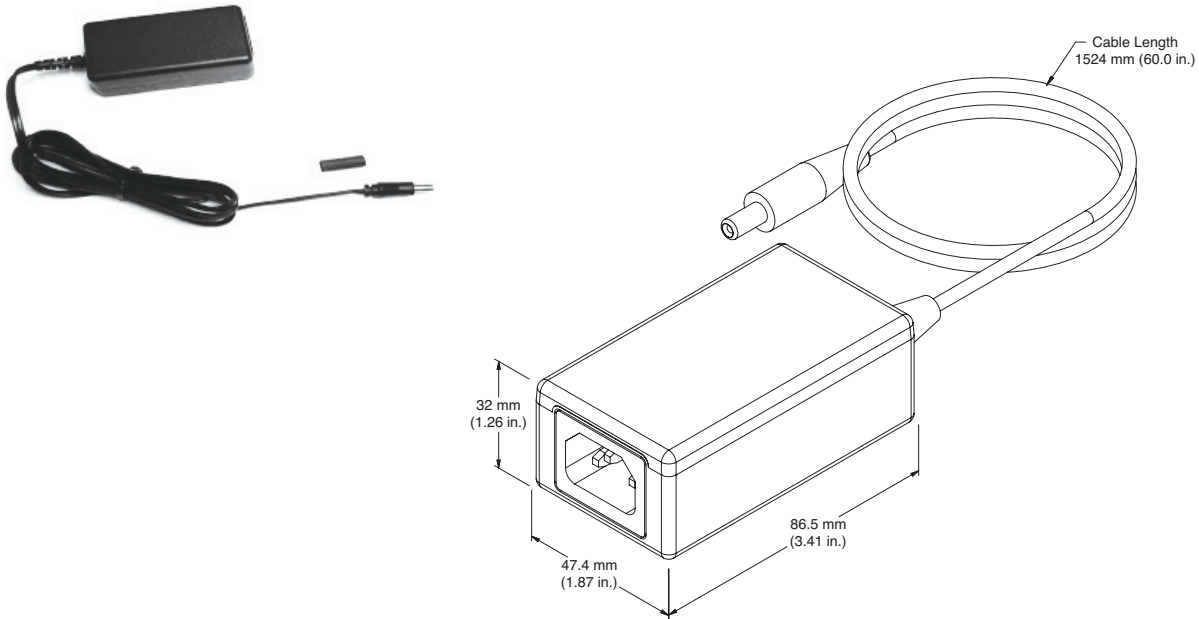


Coherent StingRay Accessories

Structured Light Pattern Generating Laser

Coherent StingRay Power Supply - Controller

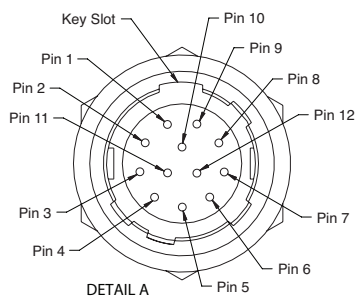
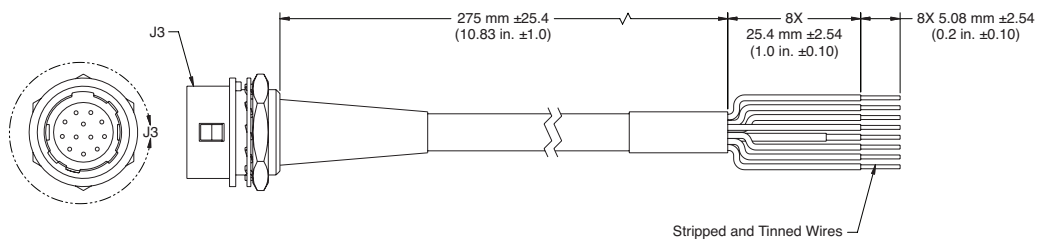
Part Number: 1105427



Coherent StingRay 12 Pin Hirose Connector to Flying Lead Break Out

Part Number: 1229640

This convenient cable provides an easy break out of the I/O signals used by the Coherent StingRay laser family. When the laser uses the Hirose Connector, this mating connector can be used to quickly convert to Flying Lead with simple access to connecting to and receiving signals from a Coherent StingRay laser.



WIRE LIST				
SIGNAL NAME	FROM	TO	WIRE AWG	COLOR
VIN	J3-9	NC	28	RED
VIN GND	J3-1	NC	28	BLACK
COM RX	J3-4	NC	28	WHITE
COM GND	J3-5	NC	28	WHITE/BLACK
COM TX	J3-6	NC	28	ORANGE
FAULT	J3-10	NC	28	GREEN
VMOD	J3-2	NC	28	BLUE
VMOD GND	J3-3	NC	28	RED/BLACK
CABLE SHIELD	SHIELD	J3-1	-	BLACK
J3 CONNECTOR SHIELD	J3 SHIELD	NC	-	-

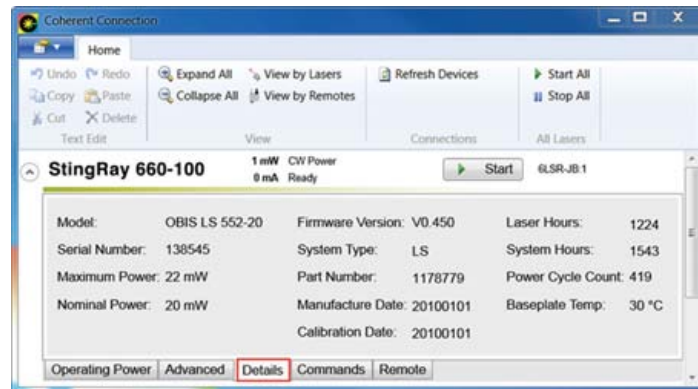
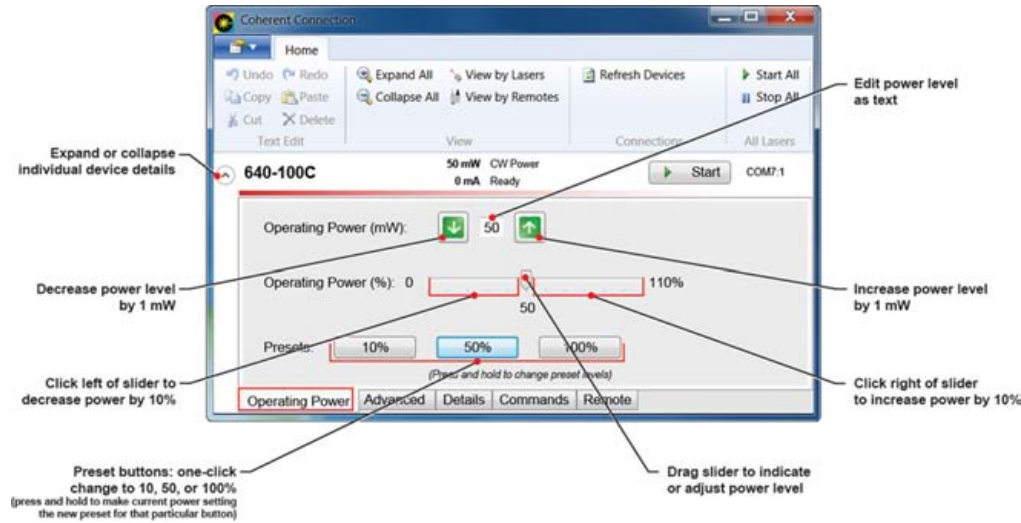
Coherent StingRay Accessories

Structured Light Pattern Generating Laser

Coherent Connect Software

Part Number: 1258561

The Coherent Connect Software is an easy to use, flexible and stable interface for controlling, polling and setting up the Coherent StingRay laser. The software allows direct interface with the laser to set, report and monitor the performance of the laser system. Features include setting power, reporting diode temperature, reporting laser hours, updating the modulation, and safety protocols.



Coherent, Inc.,
 27650 SW 95th Avenue
 Wilsonville, OR 97070
 phone (800) 343-4912
 (408) 764-4042
 fax (503) 454-5727
 e-mail LAS.sales@Coherent.com

Benelux +31 (30) 280 6060
 China +86 (10) 8215 3600
 France +33 (0)1 8038 1000
 Germany/Austria/
 Switzerland +49 (6071) 968 333
 Italy +39 (02) 31 03 951
 Japan +81 (3) 5635 8700
 Korea +82 (2) 460 7900
 Taiwan +886 (3) 505 2900
 UK/Ireland +44 (1353) 658 833

Coherent follows a policy of continuous product improvement. Specifications are subject to change without notice.

Coherent's scientific and industrial lasers are certified to comply with the Federal Regulations (21 CFR Subchapter J) as administered by the Center for Devices and Radiological Health on all systems ordered for shipment after August 2, 1976.

Coherent offers a limited warranty for all Coherent StingRay Accessories. For full details of this warranty coverage, please refer to the Service section at www.Coherent.com or contact your local Sales or Service Representative.