

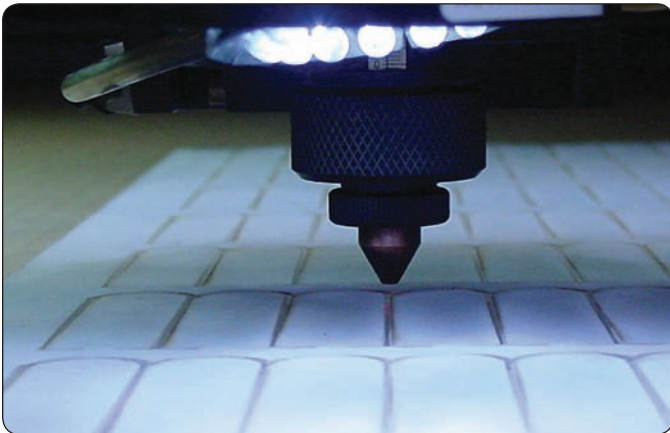
META 2C

Advanced Laser Machining Center

Flexible, High Speed Precision

The META 2C is the compact and powerful answer for prototype to high volume manufacturing applications.

The META 2C is the most versatile choice for precision cutting a wide range of materials, non-metals up to 25 mm. Simple user interface and job loading software simplifies work set up and increases productivity.



Superior Reliability & Performance

META 2C Features:

- **High power and low operating cost sealed CO₂ laser**
- **Auto-focus system for fast setup**
- **Large format cutting area**
- **Gull wing, dual access doors with removable pallet, front and rear pass through**

META 2C Options:

- **Machine vision**
- **Auto-pallet loading**
- **Extended pallet option**

META 2C

Advanced Laser Machining Center

System Specifications

	META 2C
Laser Power/Peak Power (W)	250/750 ¹
Dimensions (L x W x H)	1630 x 1990 x 1320 mm (64.2 x 78.4 x 52.0 in.)
Weight	725 kg (1600 lbs.)
Cutting Height	1020 mm (40.0 in.)
Working Range	x = 1220 mm (48.0 in.) y = 1220 mm (48.0 in.) z = 300 mm (12.0 in.)
Maximum Speed	50,800 mm (2000 in.)/min. cutting 91,500 mm (3600 in.)/min. rapid positioning 91,500 mm (3600 in.)/min. raster engraving
Positioning	Linear encoders with 2 micron resolution in closed loop with brushless servo motors
Accuracy	25 µm (0.001 in.) positioning accuracy ² 5 µm (0.0002 in.) repeatability
Contouring	Full look-ahead contouring capability
Materials	Plastics, Wood, Paper, Composites, Fabric, Rubber
Software Interface	
LaserLink program including:	Windows 7 support G-code support AI, DXF, HPGL, DWG, Gerber, JPG, BMP, TIF file import Full geometry editing Editable database of laser parameters Job estimator software Job management software
Cutting Pallets	Removable pallet system with front and rear pass-through Honeycomb work support
Laser Power Control	Digital laser power control Power proportional to velocity
Focusing	Auto-focus
Exhaust/Vacuum Bed	Vacuum material hold-down plenum External high pressure exhaust blower required
Cooling	External chiller
PC/File Server	Windows/Ethernet
Power (VAC)	208 to 240, 47 to 63 Hz, three-phase, 30A
Safety	Safety interlocks on all covers and enclosures Class I system (Complies with 21 CFR Chapter 1, Subchapter J)
User Controls	Touch Screen control panel Jog, Bed height controls Home, Park, Load buttons Exhaust, gas assist controls Editing of laser settings Networked HMI workstation Auto restart

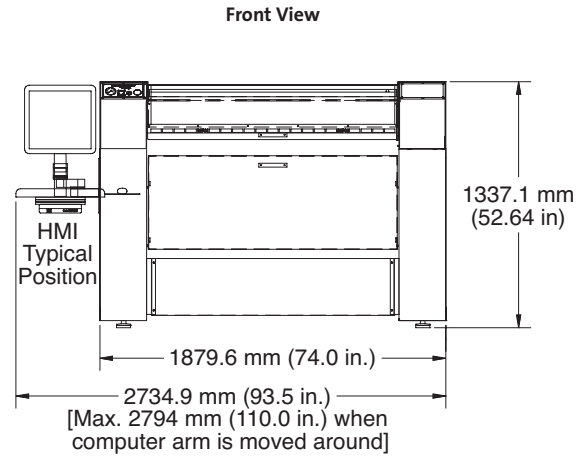
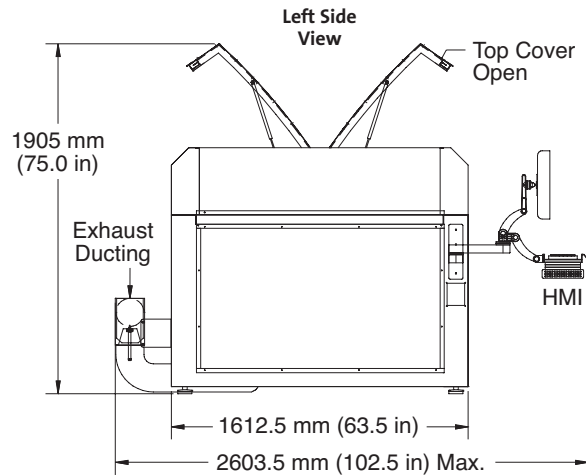
¹ These specifications are applicable as of September 2009 and are subject to change without notice.

² Accuracy quoted is under controlled conditions. Accuracy may vary depending on conditions in customer's facility.

META 2C

Advanced Laser Machining Center

Mechanical Specifications



www.Coherent.com

Coherent, Inc.,

5100 Patrick Henry Drive
Santa Clara, CA 95054
phone (800) 527-3786
(408) 764-4983
fax (408) 764-4646
e-mail tech.sales@Coherent.com

Benelux	+31 (30) 280 6060
China	+86 (10) 8215 3600
France	+33 (0)1 8038 1000
Germany/Austria/ Switzerland	+49 (6071) 968 333
Italy	+39 (02) 31 03 951
Japan	+81 (3) 5635 8700
Korea	+82 (2) 460 7900
Taiwan	+886 (3) 505 2900
UK/Ireland	+44 (1353) 658 833

Coherent follows a policy of continuous product improvement. Specifications are subject to change without notice.

Coherent's scientific and industrial lasers are certified to comply with the Federal Regulations (21 CFR Subchapter J) as administered by the Center for Devices and Radiological Health on all systems ordered for shipment after August 2, 1976.

Coherent offers a limited warranty for all META laser machining centers. For full details of this warranty coverage, please refer to the Service section at www.Coherent.com or contact your local Sales or Service Representative.