

# OBIS Accessories

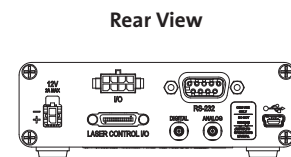
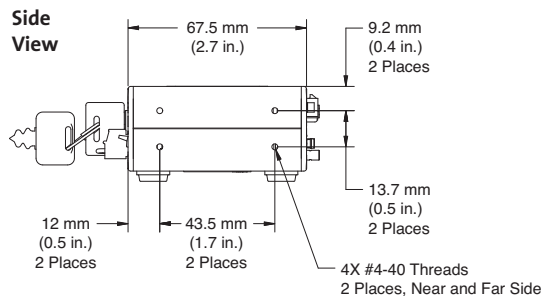
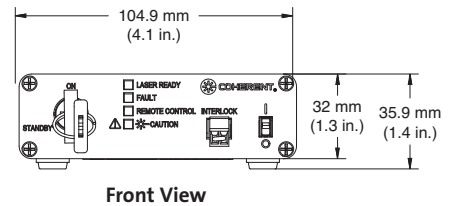
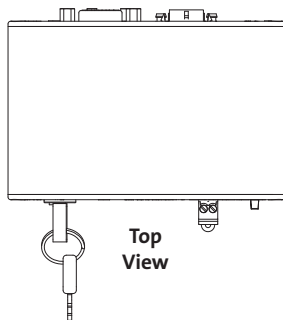
## OBIS Remotes, Heat Sink, Power Supply and Accessories



### Features

- **OBIS Remote offers:**
  - laser safety features (CDRH) such as key switch and interlock
  - laser status indicators
  - full input and output connections for control, analog modulation and digital modulation
  - compact power supply for single laser
  - brackets for mounting and stacking included
- **OBIS 6-Laser Remote offers:**
  - laser safety features (CDRH) such as key switch and interlock
  - six power cables to provide power to the OBIS lasers
  - single power supply with 6 laser capacity
  - individual on/off switches
  - brackets for mounting and stacking included
- **Optional heat sink, power supply and cables**

**OBIS Remote  
for Single Laser**  
Part #1173961



**Superior Reliability & Performance**

# OBIS™ Accessories

## OBIS Remotes, Heat Sink, Power Supply and Accessories

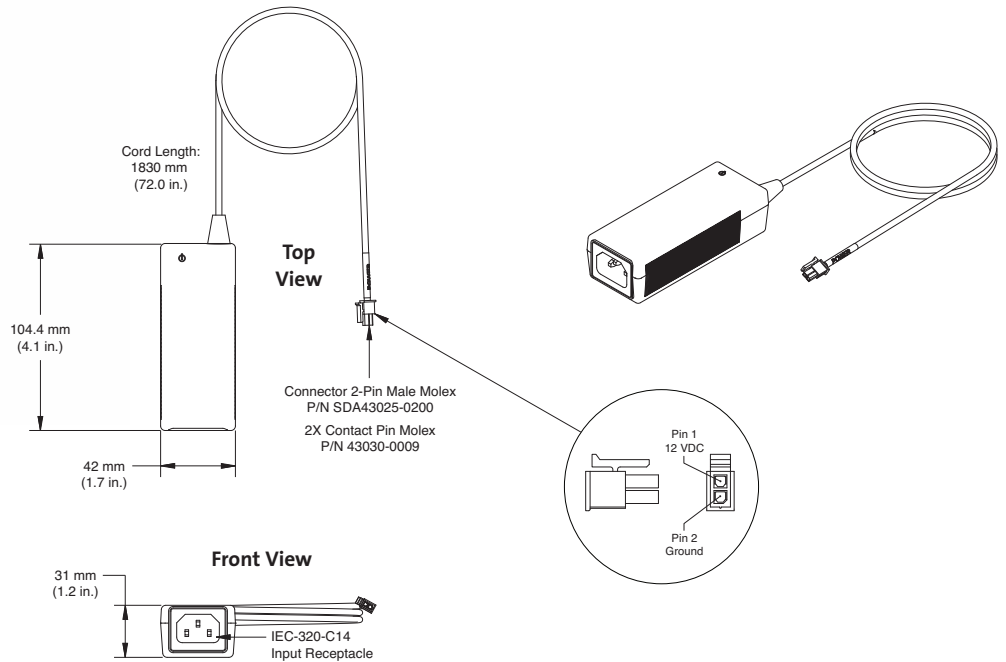
### OBIS Single Laser Power Supply

Part #1184491

Included with OBIS Single Laser Remote



Power Cord sold separately

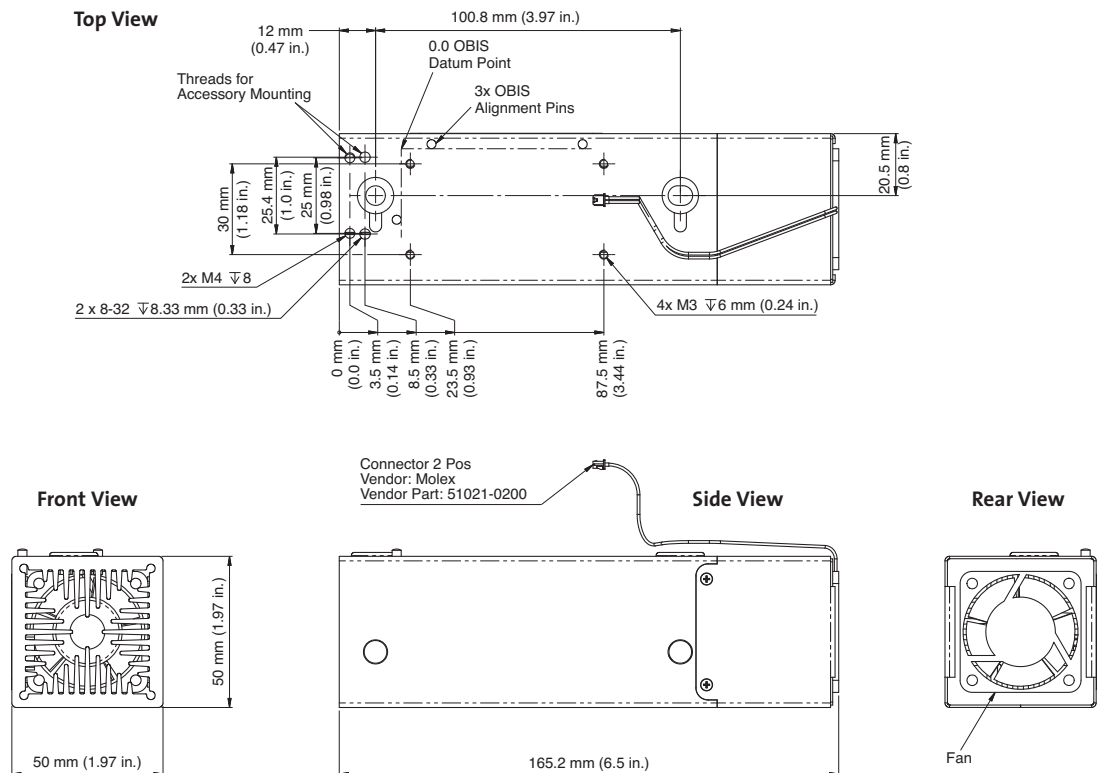


### OBIS Heat Sink

Part #1193289



Fan included

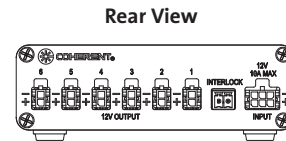
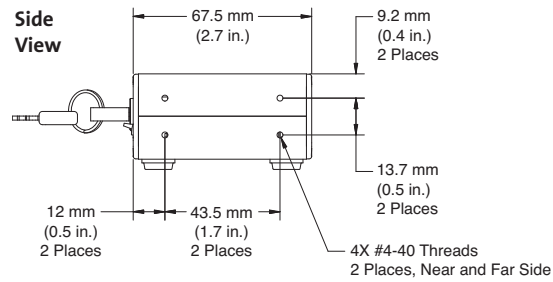
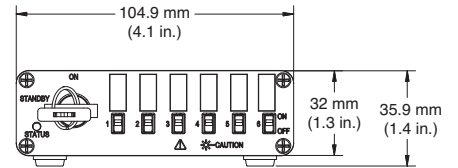
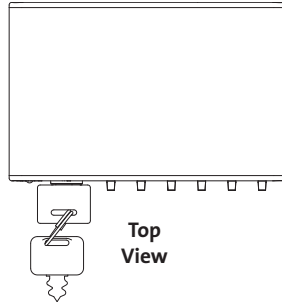


# OBIS™ Accessories

## OBIS Remotes, Heat Sink, Power Supply and Accessories

### OBIS 6-Laser Remote

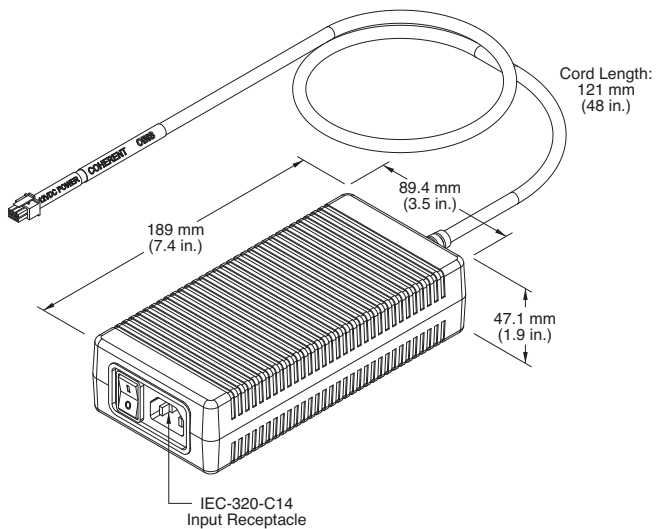
Part #1203909



### OBIS 6-Laser Remote Power Supply

Part #1211389

Included with OBIS 6-Laser Remote



# OBIS™ Accessories

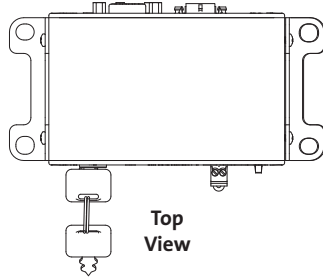
## OBIS Remotes, Heat Sink, Power Supply and Accessories

### OBIS Remote Mounting Brackets and Stacking Brackets\*

Included with OBIS Remote

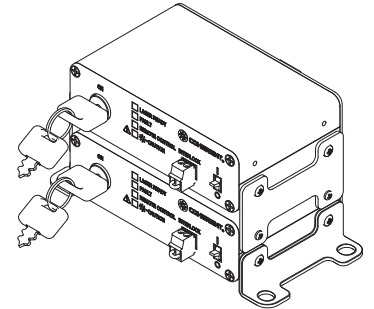
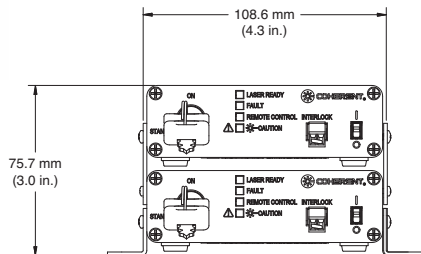


\* Allows OBIS Remote to be mounted to table top and/or stacked together.

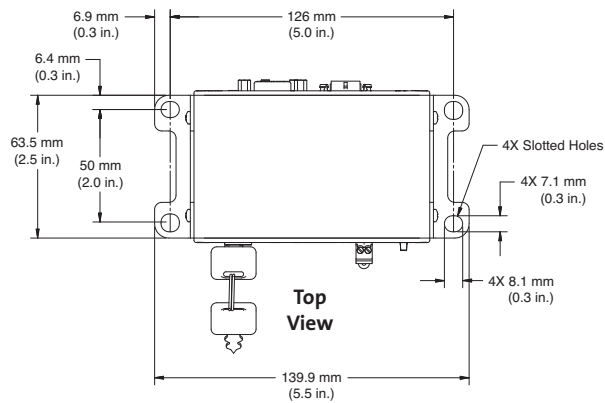


Top View

Front View

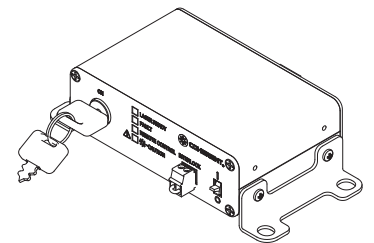
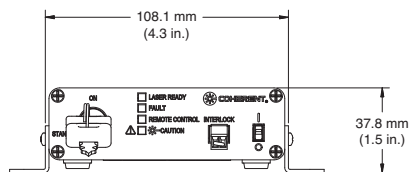


Side View



Top View

Front View



Side View

# OBIS™ Accessories

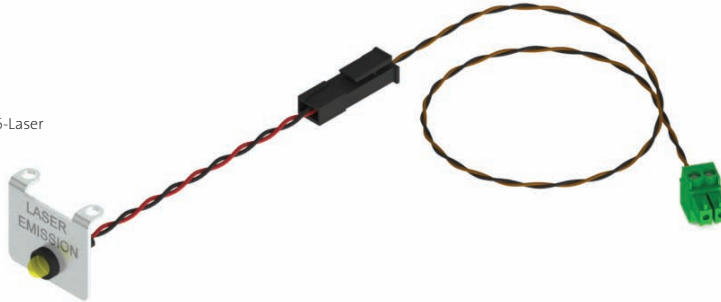
## OBIS Remotes, Heat Sink, Power Supply and Accessories

### OBIS Laser Emission Indicator with Interlock Connector

Part #1190901

Plugs into OBIS Remote or OBIS 6-Laser Remote interlock connector.

5 meter cable and interlock connector included.



Example shown mounted on laser - can be mounted separately to serve as a laser emission warning light.



### Spare Parts Kit

Part #1190348

Coherent offers OBIS spare parts kit consisting of accessories for the OBIS that includes:

OBIS Remote Key (2X)

OBIS Remote Interlock

Memory Stick for Software Control and User Manual

OBIS Laser Safety Pamphlet and Quick Start Guide

OBIS Wavelength Labels

OBIS I/O Cable

OBIS Power Cable (OEM)



# OBIS™ Accessories

## OBIS Remotes, Heat Sink, Power Supply and Accessories

### Overview

### Description

	Included with Laser System	Included with OBIS Single Laser Remote (Part #1173961)	Included with OBIS Six Laser Remote (Part #1203909)	Included with Spare Parts Kit (Part #1190348)
Laser with Mounting Bolts and Washers	x			
OBIS Single Laser Remote	x	x		
Keys (2), Interlock (Shorted), Wavelength Label	x	x	x	x
Memory Stick for Software Control and User Manual	x	x	x	x
Mounting Brackets and Hardware for OBIS Remote	x	x	x	
USB Cable, 1.8 meter, Type A to Type Mini B	x	x		
Power Supply, 110V/220 VAC, 12V DC, IEC-320	x Part #1184491	x Part #1184491	x Part #1211389	
Cable, SDR, Laser-to-Remote (1 meter)	x	Order Separately, Part#1179451	Not Applicable	
Cable, SDR, Laser-to-Remote (3 meter)		Order Separately, Part #1179858	Not Applicable	
Cable, SDR, Laser-to-Remote (0.3 meter)		Order Separately, Part #1197523	Not Applicable	
Cable, 8-Pin, I/O for Remote with leads (1 meter)			Not Applicable	x
Cable, 2-Pin, Power Connector with leads (1 meter)			Not Applicable	x
Heat Sink, includes Cooling Fan and Hardware		Order Separately, Part #1193289		
Laser Emission Indicator with Interlock Connector		Order Separately, Part #1190901		

Coherent follows a policy of continuous product improvement. Specifications are subject to change without notice.

Coherent's scientific and industrial lasers are certified to comply with the Federal Regulations (21 CFR Subchapter J) as administered by the Center for Devices and Radiological Health on all systems ordered for shipment after August 2, 1976.

Coherent offers a limited warranty for all OBIS lasers and accessories. For full details of this warranty coverage, please refer to the Service section at [www.Coherent.com](http://www.Coherent.com) or contact your local Sales or Service Representative.



[www.Coherent.com](http://www.Coherent.com)

**Coherent, Inc.**  
 5100 Patrick Henry Drive  
 Santa Clara, CA 95054  
 phone (800) 527-3786  
 (408) 764-4983  
 fax (408) 764-4646  
 e-mail [tech.sales@Coherent.com](mailto:tech.sales@Coherent.com)

Benelux +31 (30) 280 6060  
 China +86 (10) 8215 3600  
 France +33 (0)1 8038 1000  
 Germany +49 (6071) 968 333  
 Italy +39 (02) 31 03 951  
 Japan +81 (3) 5635 8700  
 Korea +82 (2) 460 7900  
 UK +44 (1353) 658 833

